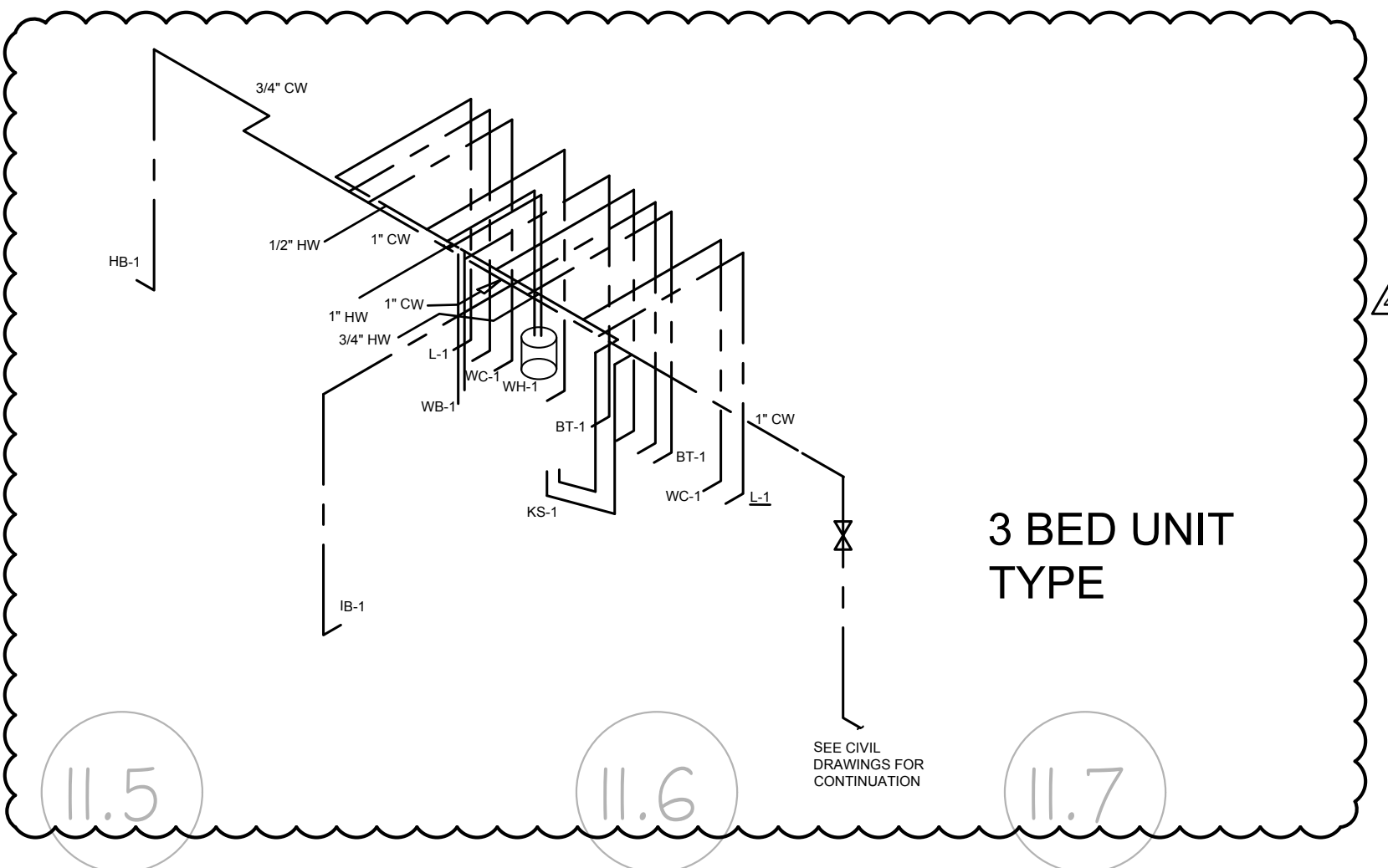
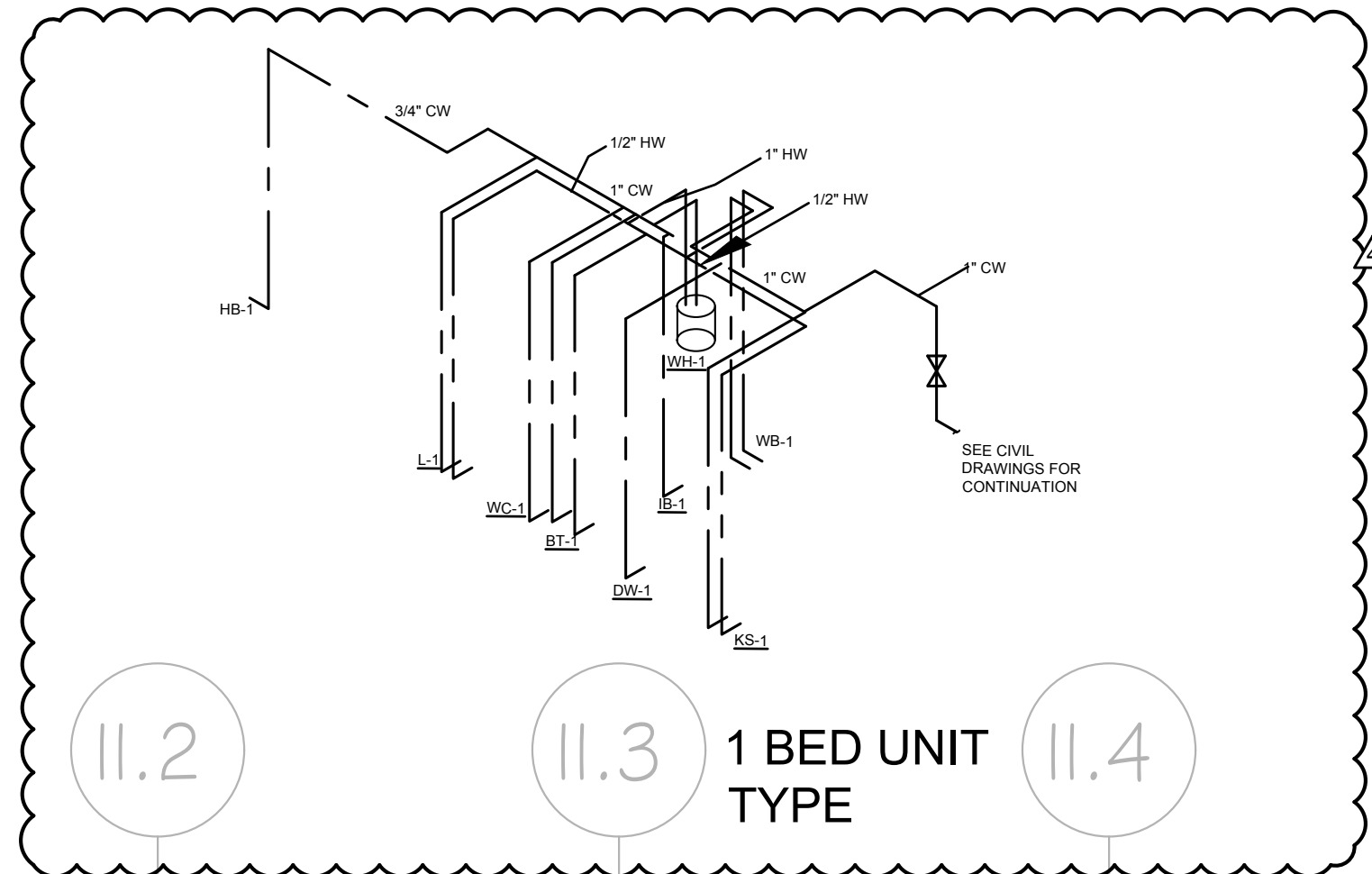
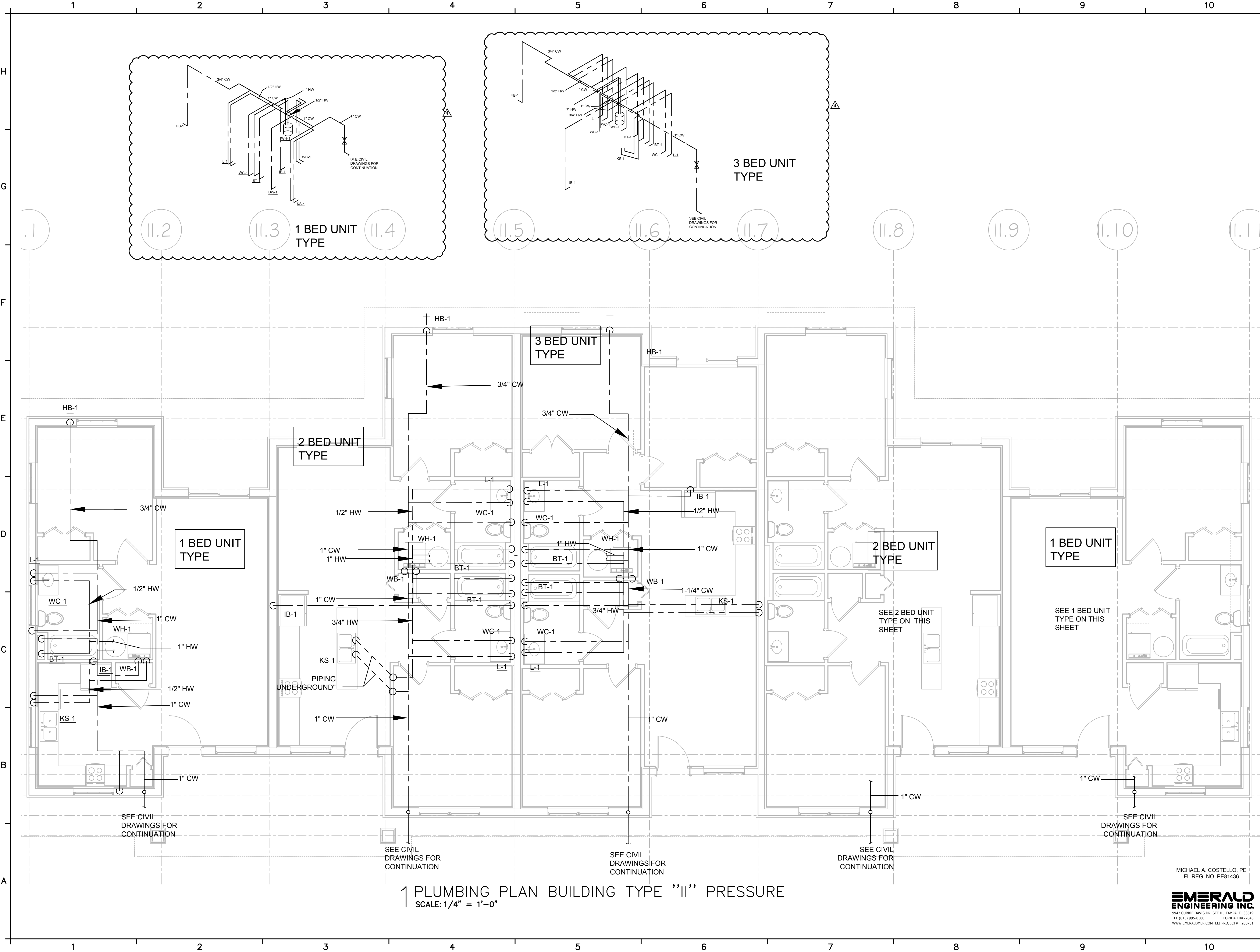
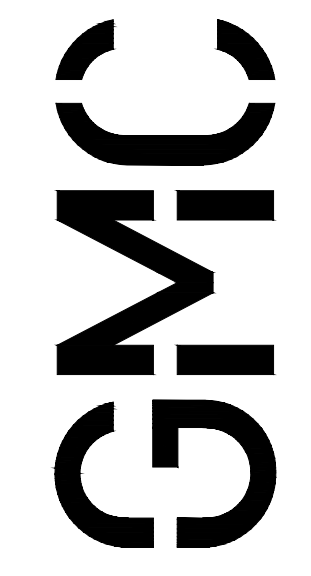
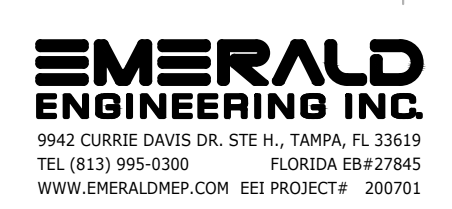


3/26/2024 11:10:09 TEMPLATE VERSION: 3.4 AM



1 PLUMBING PLAN BUILDING TYPE "II" PRESSURE
SCALE: 1/4" = 1'-0"

MICHAEL A. COSTELLO, PE
FL REG. NO. PE81436



ISSUE DATE	BID CONST DOCS 06/28/2022
PERMIT SET	104/19/2024
REVISED PLUMBING	07/26/2023
ADDENDUM #	4
PROJECT ADDRESS	7240 MASSACHUSETTS AVE NEW PORT RICHEY, FLORIDA
PROJECT NAME	MAGNOLIA OAKS PHASE 1 - WEST PARCEL
CLIENT	7240 MASSACHUSETTS AVE NEW PORT RICHEY, FLORIDA
DESIGNER	EMERALD ENGINEERING INC. 3942 COURSE GARDEN DR. STE 101, TAMPA, FL 33609 TEL (813) 995-0300 FLORIDA EB#27845 WWW.EMERALDMEP.COM EEE PROJECT# 200701
DRAWN BY	GMC
CHECKED BY	GMC
OFFICE	33602 TAMPA, FL GMC NETWORK.COM

PLUMBING PLAN
BUILDING TYPE "II"
PRESSURE
P112