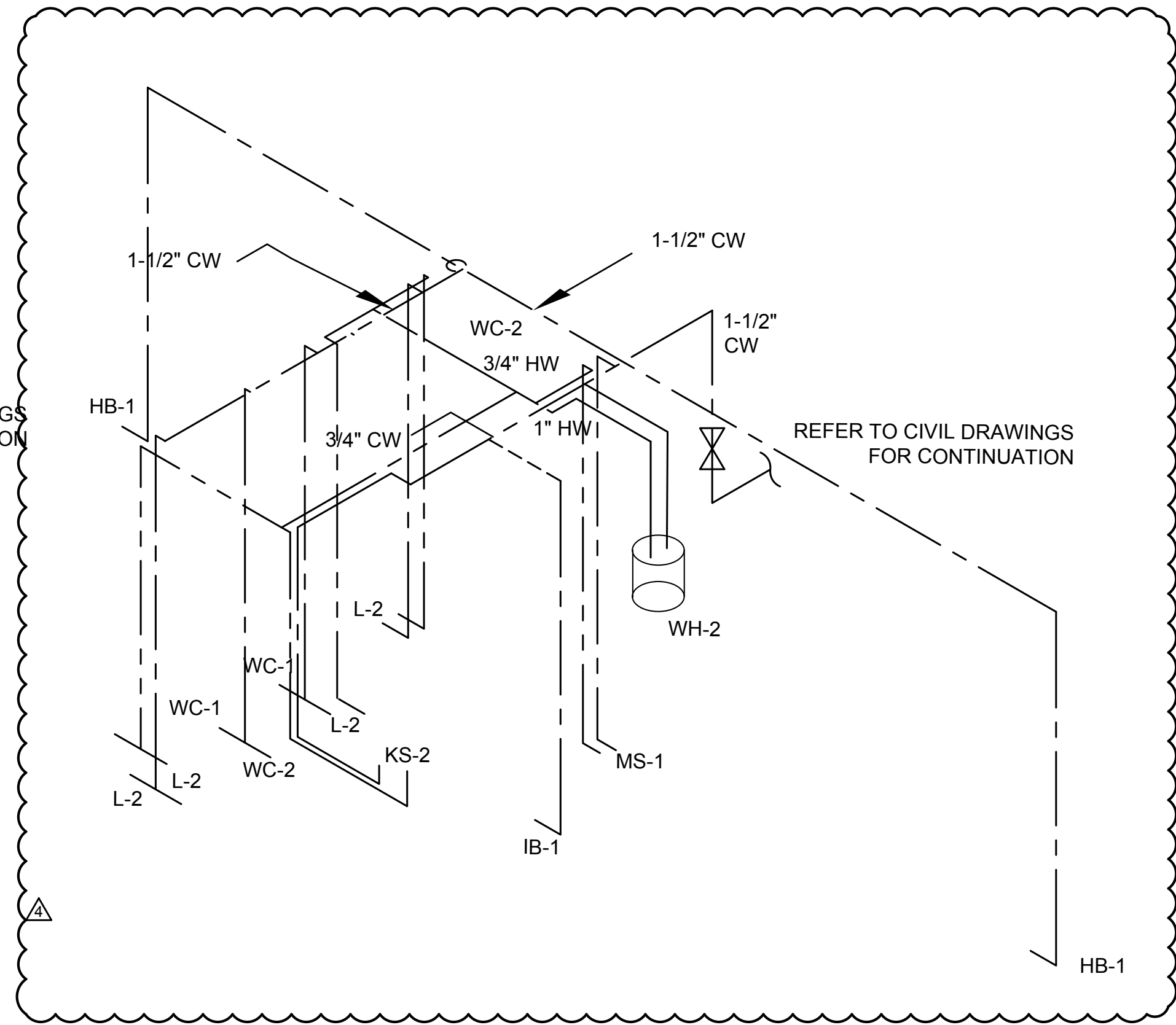
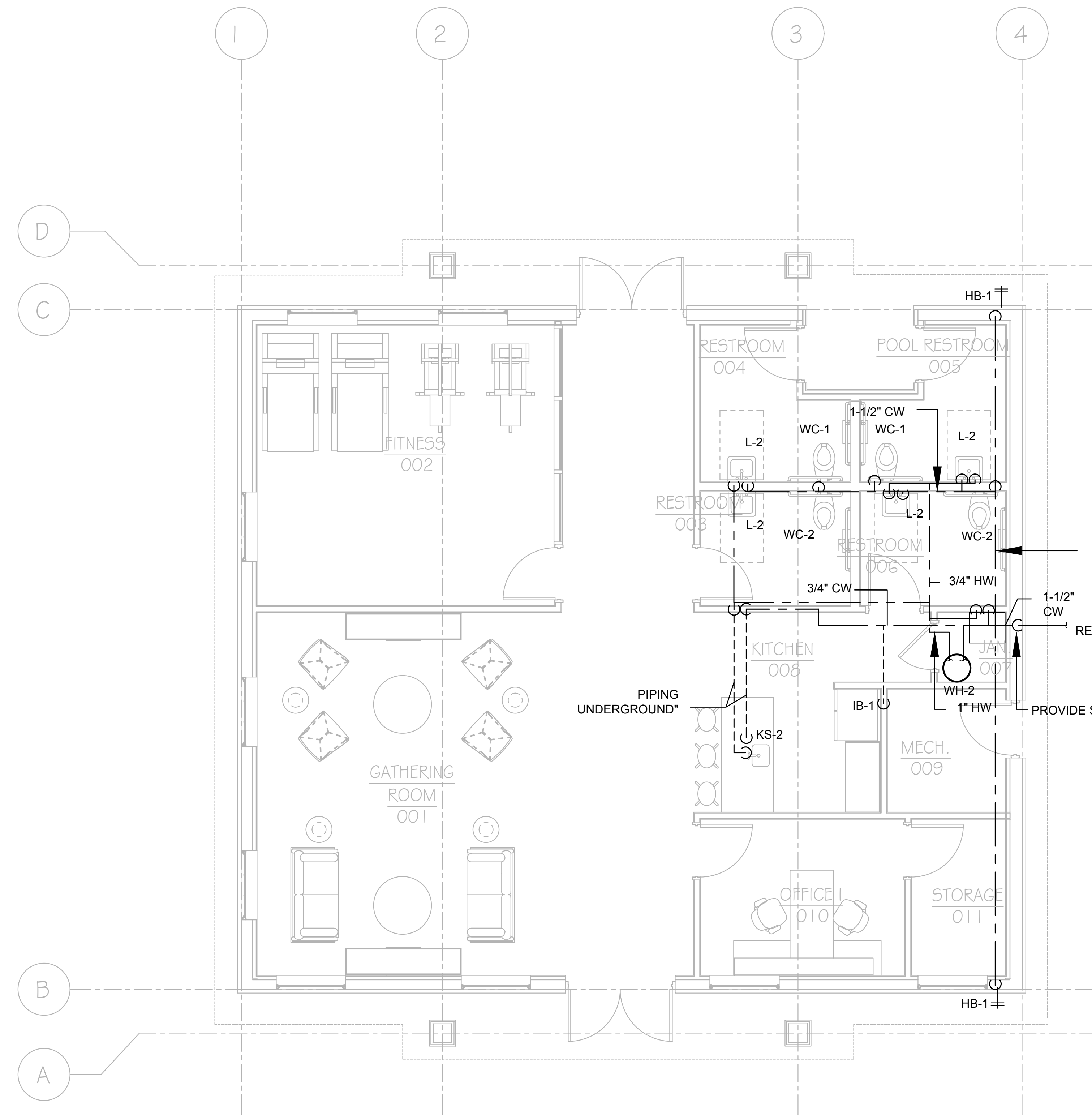
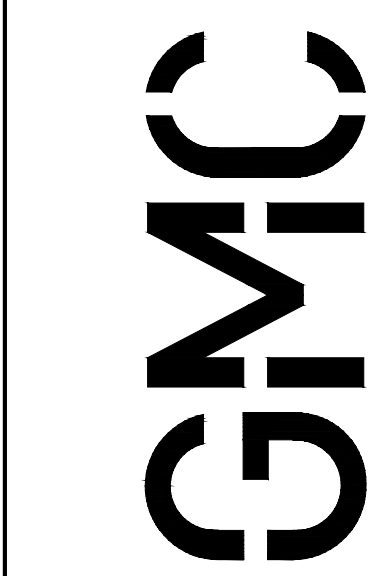


3/26/2024 11:10:09 TEMPLATE VERSION:
3.4
AM



1 PLUMBING PLAN CLUBHOUSE PRESSURE
SCALE: 1/4" = 1'-0"

MICHAEL A. COSTELLO, PE
FL REG. NO. PE81436
EMERALD ENGINEERING INC.
9942 CURRIE DAVIS DR. STE. H., TAMPA, FL 33619
TEL (813) 995-0300 FLORIDA 08423845
WWW.EMERALDPE.COM EEE PROJECT# 200701



ISSUE DATE
BID CONST DOCS 06/28/2022
PERMIT SET 04/19/2024
ADDENDUM #1 07/16/2024 201 North Franklin Street, Suite 250 Tampa, FL 33602
813.678.2420
GMC NETWORK . COM

MAGNOLIA OAKS
PHASE 1 - WEST PARCEL
7240 MASSACHUSETTS AVE
NEW PORT RICHEY, FLORIDA

DRAWN BY: GMC
CHECKED BY: GMC

PLUMBING PLAN
CLUBHOUSE
PRESSURE

P115